

READ ALL INSTRUCTIONS BEFORE BEGINNING INSTALLATION

INSTALLATION INSTRUCTIONS

- 1- REMOVE THE EXISTING SUN VISOR, RETAIN CENTER AND SIDES HARDWARE.
- 2- INSTALL THE CENTER BRACKETS ONTO THE CAB USING THE RETAINED HARDWARE.
- 3- TEMPORARILY INSTALL THE SUN VISOR ONTO THE CAB AS ILLUSTRATED.
- 4- USING THE SUN VISOR, MARK BRACKETS MISSING HOLES ON CAB.

CAUTION

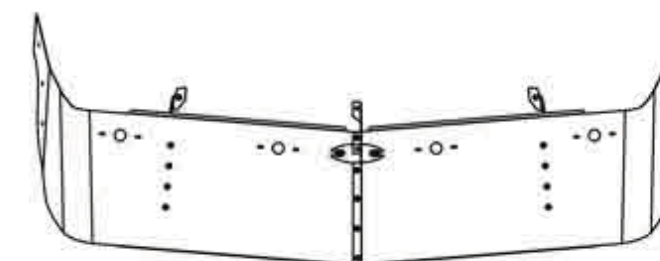
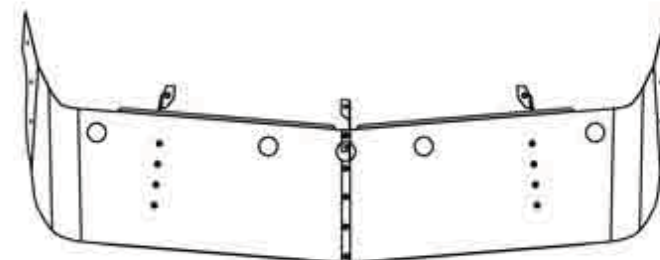
REMOVE BRACKETS BEFORE DRILLING TO PREVENT DAMAGE

- 5- DRILL MARKED HOLES AT $\phi \frac{1}{2}$ " (.500").
- 6- INSERT THE WELLNUTS.
- 7- IF WITHOUT LIGHTS; SKIP TO STEP #12.
- 8- INSTALL THE LIGHTS ON SUN VISOR
- 9- CONNECT THE LIGHTS AND DIRECT WIRE TOWARDS CENTER.
- 10- FASTEN THE SUN VISOR AS ILLUSTRATED.
- 11- INSTALL AND CONNECT THE CENTRAL LIGHT TO THE OTHERS.
- 12- REINSTALL THE SUN VISOR ONTO THE CAB AS ILLUSTRATED.

CAUTION

IT IS THE RESPONSIBILITY OF THE INSTALLER TO PLAN AHEAD THE ADEQUATE ELECTRICAL CONNECTION ACCORDING TO THE STANDARDS OF THE TRUCK MANUFACTURER AND DOT REGISTRATION.

- 13- CONNECT LIGHTS HARNESS TO THE TRUCK.
- 14- USE THE RETAINED HARDWARE TO SCREW BOTH SIDES.
- 15- TIGHTEN ALL BOLTS AND SCREWS FIRMLY.



TRUX ACCESSORIES

TITLE:

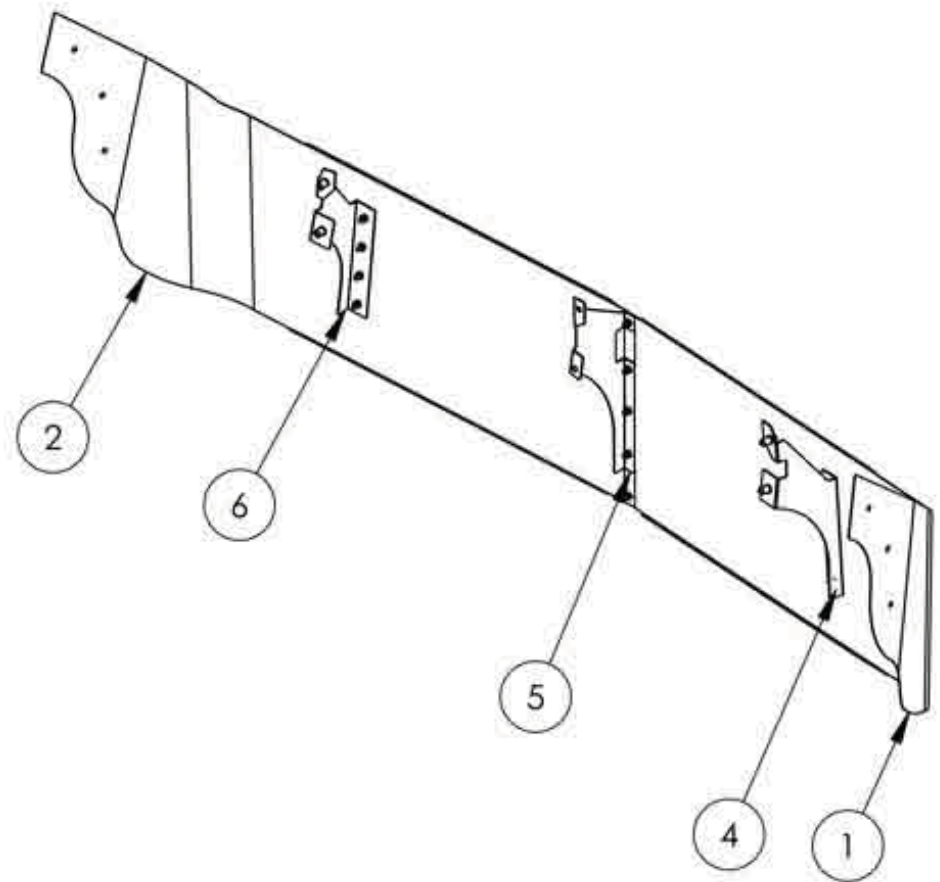
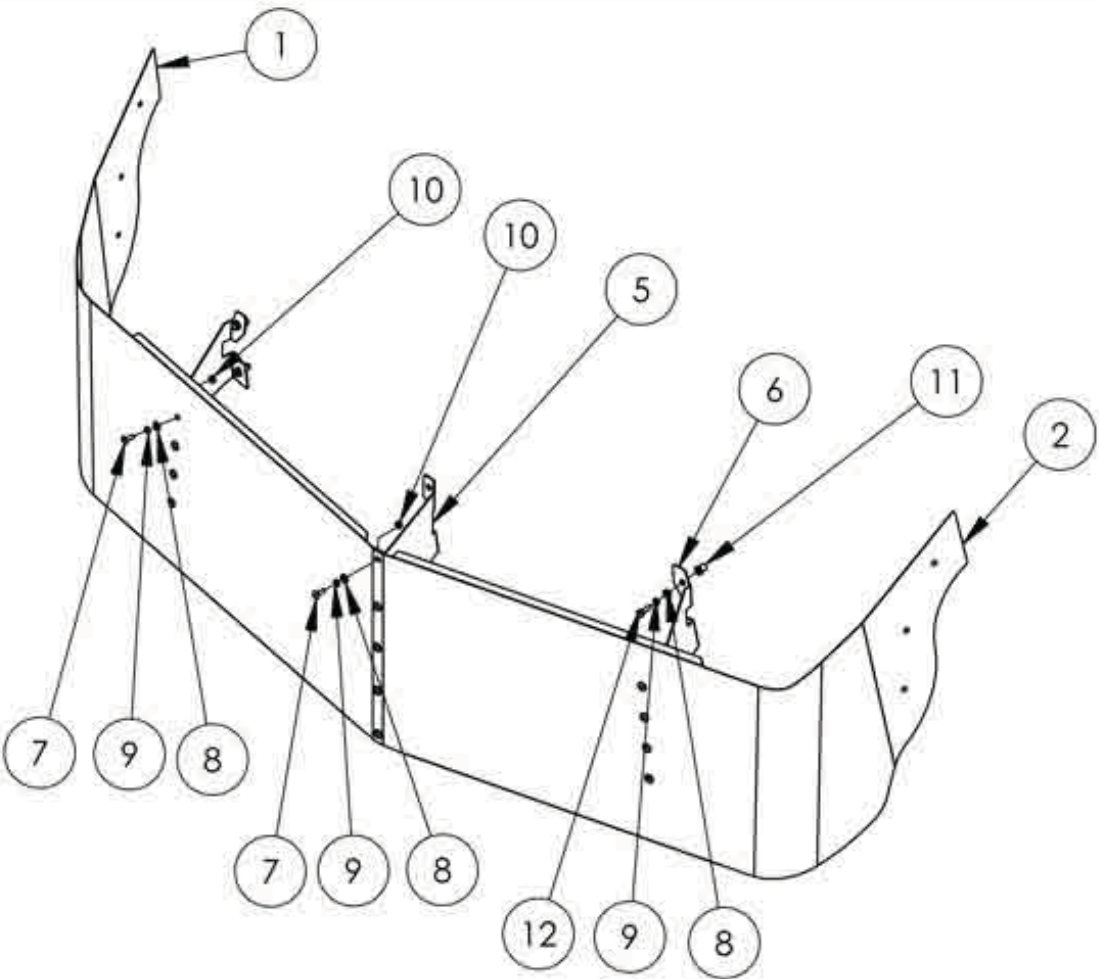
SUN VISOR FREIGHTLINER (MID ROOF)
COLUMIA & CENTURY CLASS 2005 & UP

SIZE:

A

TSUN-F17, F18 & F19

NAME	DATE	REV	DATE
DRAWN BY: P.W.	01-02-2007	PH1	-
SCALE: 1:24	WEIGHT: LBS	SHEET: 1 OF 1	



ITEM NO.	PART NO.	PART NO.	PART NO.	DESCRIPTION	QTY
1	M7331037SD	M7331036SD	M7331035SD	SUN VISOR PANEL	1
2	M7331037SG	M7331036SG	M7331035SG	SUN VISOR PANEL	1
3	K7331035BH	-	-	HARDWARE KIT INCLUDE:	1
4	-	-	-	PR9331035-D00	1
5	-	-	-	PR9331035-C00	1
6	-	-	-	PR9331035-G00	1
7	-	-	-	TRUSS PHILIPS 1/4"-20NCX3/4"SS	13
8	-	-	-	FLAT WASHER 1/4"	17
9	-	-	-	LOCK WASHER 1/4" SS	17
10	-	-	-	HEX NUT 1/4-20NC	13
11	-	-	-	WELL NUT 1/4NC	4
12	-	-	-	HEX. BOLT 1/4NC X 1	4

TRUX ACCESSORIES

TITLE:
SUN VISOR FREIGHTLINER (MID ROOF)
COLUMIA & CENTURY CLASS 2005 & UP

SIZE: TSUN-F17, F18 & F19

NAME	DATE	REV	DATE
DRAWN BY: P.W.	01-02-2007	PH1	-

SCALE: 1:14 WEIGHT: LBS SHEET: 1 OF 1